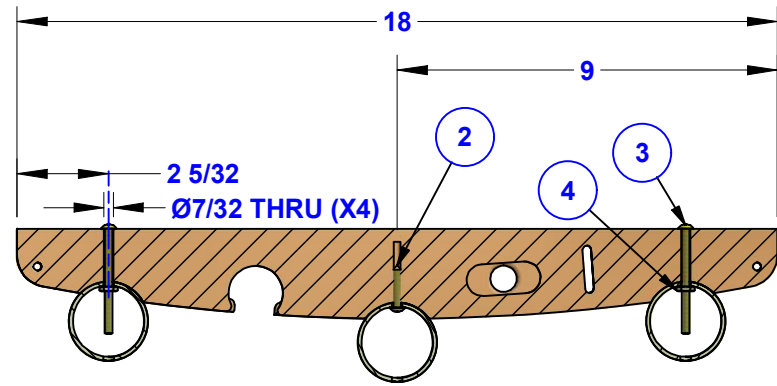


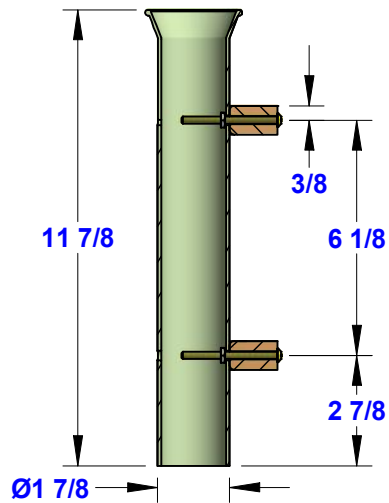
FRONT VIEW



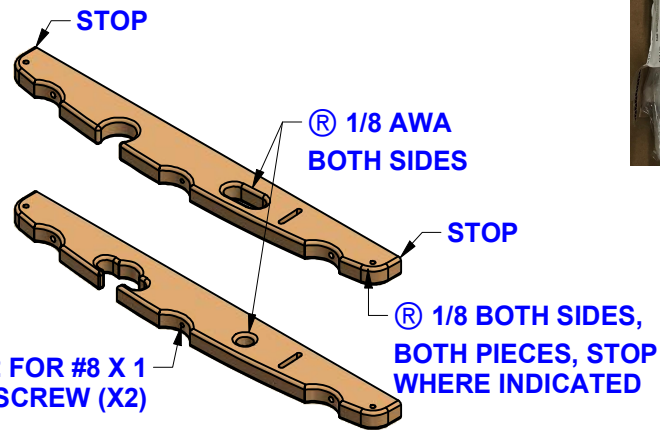
SECTION B-B



NOTE: Precut 14-inch wide poly bag (Vendor PN S-1986) to 24" in length. Place rod holder with cardboard inside sleeve as displayed. Fold sleeve excess up and over to the top side and tape on both ends.



SECTION A-A



FRONT ISO VIEW

PARTS LIST

IT#	QTY	PART #	DESCRIPTION
1	3	060-3553	WHITE ROD HOLDER
2	2	116-0802	#8 X 1 T.H. TAP
3	4	118-1025	#10-24 X 2 1/2 T.H. CHROME
4	4	116-0095	10-24 Hex Nut

MATERIAL LIST

IT#	PART #	DESCRIPTION
A	134-1304	3/4 POLAR WHITE STARBOARD 54"X96"

A	28179	07-16-18	PRODUCTION RELEASE	DDB	
REV	PCT	ECN#	DATE	DESCRIPTION	BY
CUSTOMER NAME:			MODEL:		
BOAT OUTFITTERS					
TITLE: 3 ROD RACK BOGA GRIP - POLAR WHITE		DRAWN BY: D. BALLIN	SHEET 1 OF 1		
		CHECK BY: S. WIDMANN	UNITS: INCHES		
CUSTOMER PART#: 13770-51611		DATE: 7/16/2018	SCALE: NTS		
T.I. PART#: 13770-51611		DRAWING NAME: 28179-PD			
401 Capitol Court P.O. Box 417 Ocoee, Fla. 34761					