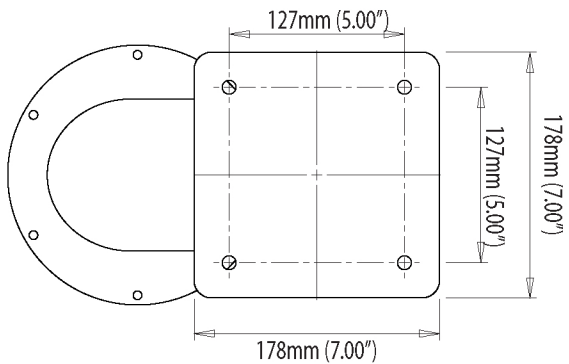
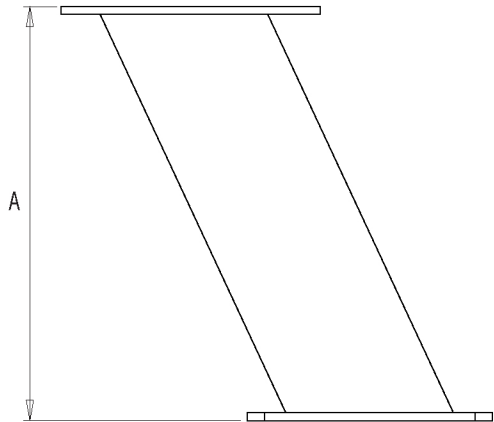
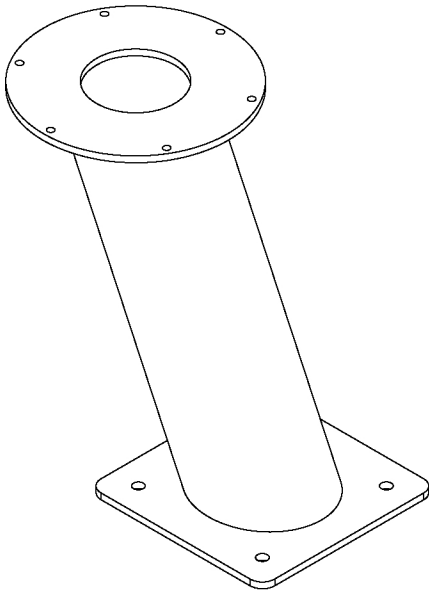
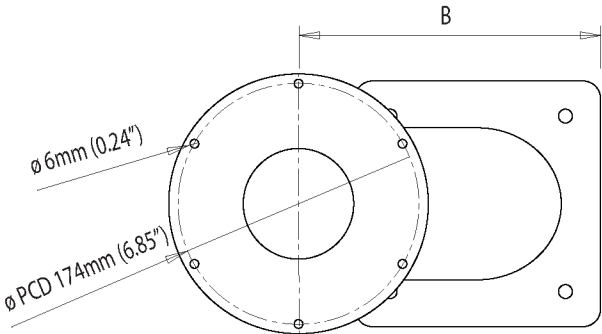


CAM-PT-150/300-02



	A mm / inches	B mm / inches
CAM-PT-150-02	150/5.91	149/5.87
CAM-PT-300-02	300/11.81	219/8.62