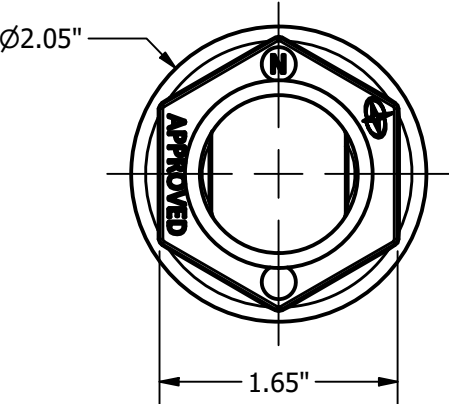
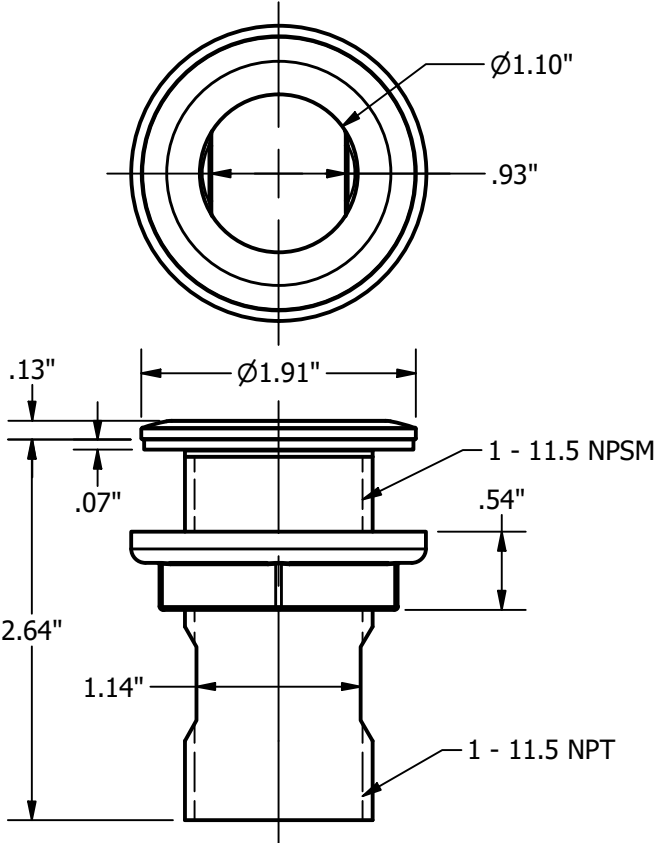


Marketing Drawing for TH-100-250-TI



Description
 THRU HULL 1" NPT, 2.5" LONG, FORGED W/ NUT,
 TITANIUM

Size	Part No	Units	Rev	Scale
A	TH-100-250-TI	INCHES	2	3:4

Phone: 800.874.4506

www.gemlux.com