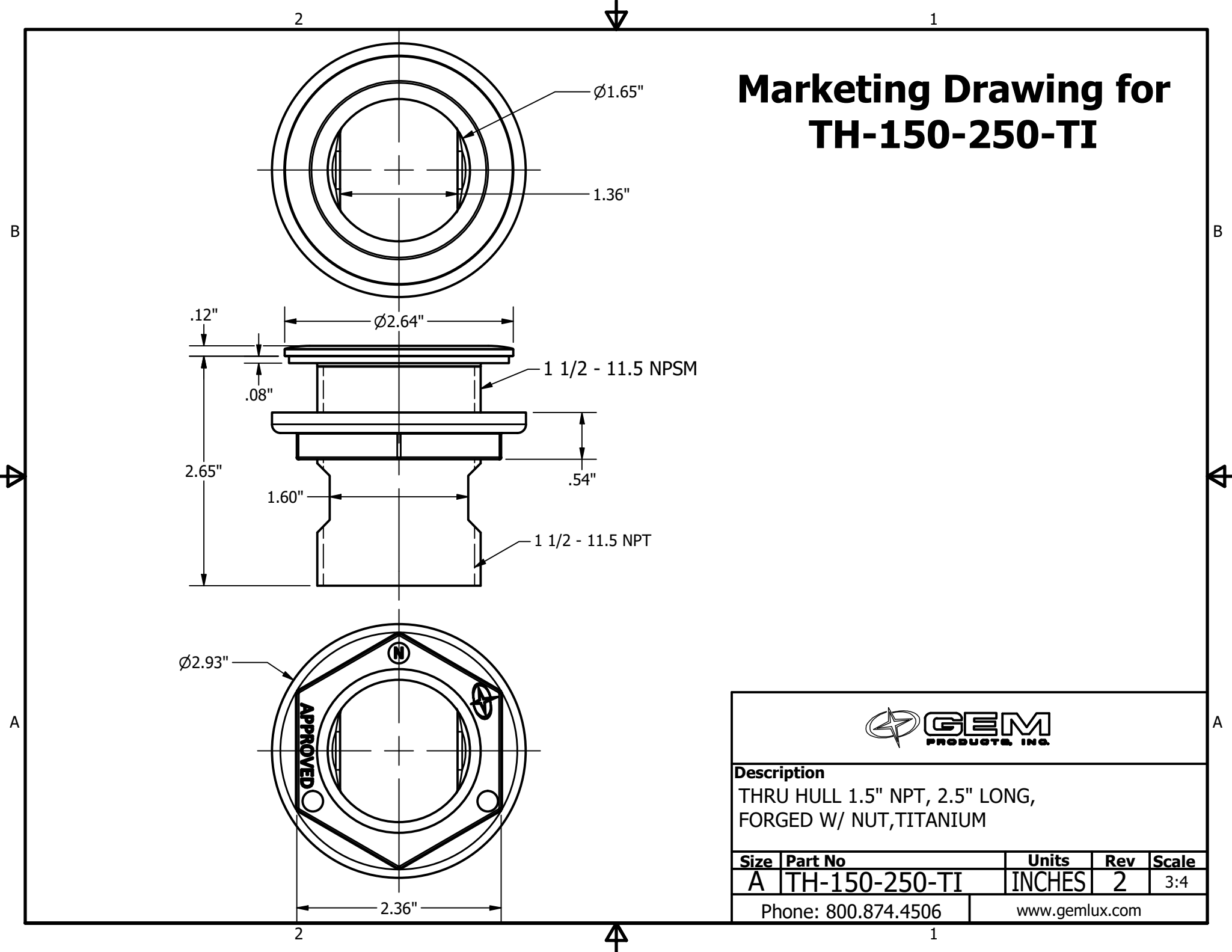


Marketing Drawing for TH-150-250-TI



Description
 THRU HULL 1.5" NPT, 2.5" LONG,
 FORGED W/ NUT, TITANIUM

Size	Part No	Units	Rev	Scale
A	TH-150-250-TI	INCHES	2	3:4

Phone: 800.874.4506 www.gemlux.com